

MC535-RL-DA

Rear Load Change Machine Credit & Cash

An outdoor through the wall change machine with rear load access, 2 hoppers, a banknote reader, coin acceptor and Nayax credit card reader.

Simple to use yet robust and reliable. Can be used for both coin and token dispensing.

Changes both notes and coin into coin and/or token.

Credit card always pays out tokens



Standard Features:

- Rear load configuration for coin and token
- Note acceptor with 500 note stackers on each
- 2 Universal type hoppers holding approximately \$3000 per hopper in \$1 coins
- Heavy gauge, solid welded, steel cabinets with stainless steel faceplate
- High gloss powder coated enamel paint finish with a graphic
- Coin acceptor
- Nayax credit card reader
- LCD screen for instructions and feedback
- T-handle "Slam Locks" with Ace plugs

Optional Features:

- Alarm system
- Locking hopper lids
- Receipt and audit printer

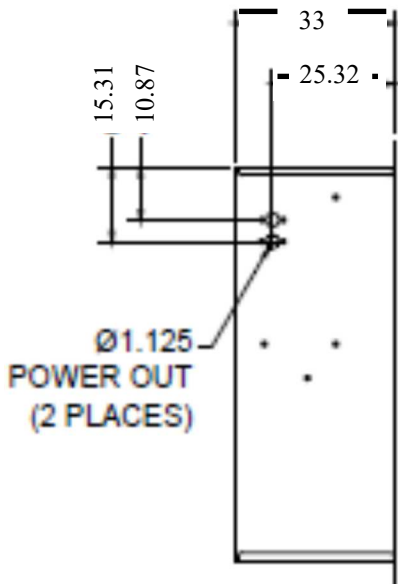
Dimensions:

- Cabinet: 82(H) x 46 (W) x 34 (D) cm
- Face Plate: 95(H) x 57(W) cm
- 62Kg



Tel AU: 1300 853 192

Tel NZ: 0800 729 832



**LEFT
SIDE OF
MACHINE**

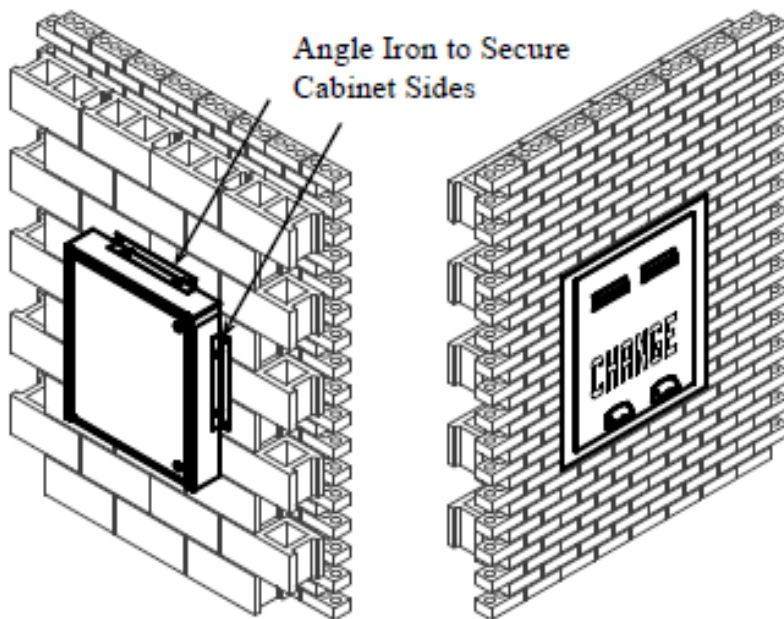
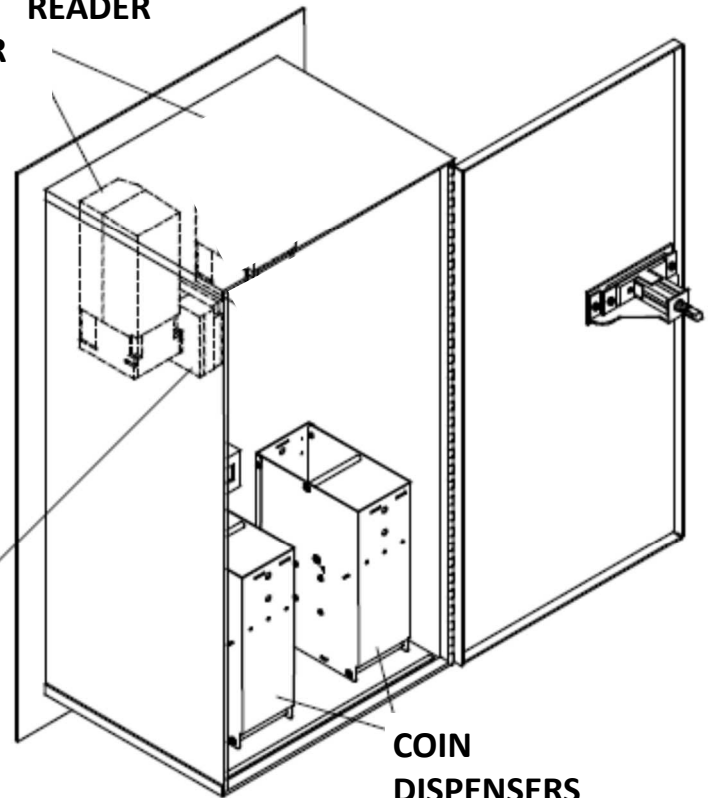
**COMPONENT
LOCATIONS**

**NOTE
ACCEPTOR**

**CREDIT CARD
READER**

**COIN
ACCEPTOR**

**COIN
DISPENSERS**



**Angle Iron to Secure
Cabinet Sides**