

# NAYAX VPOS TOUCH Credit Card Payment



Tel: 1300 853 192

www.paytechsolutions.com.au

The all-in-one contactless, contact & swipe card reader with a hi-res touch screen

**More Convenience.**  
**More Sales.**

Give your customers the flexibility to pay any way they choose.

Accept all forms of cashless payment:

- ▶ Debit and Credit Cards
- ▶ Mobile and NFC payments
- ▶ Swipe, Contact or Contactless
- ▶ MDB / Pulse / ccTalk
- ▶ GSM / GPRS / CMA / Ethernet / WiFi



## 1 Part of a complete unattended solutions

- ▶ Backend management system to keep track of transactions and communications in real-time
- ▶ User-friendly app is compatible with all smartphones and tablets
- ▶ Secure, durable, reliable

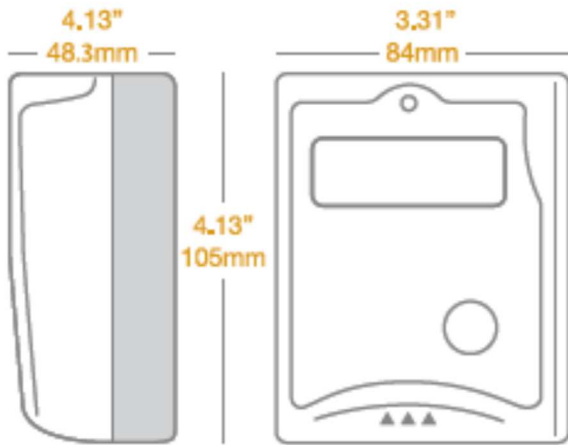
## 2 Communicate with your consumers

- ▶ Voice interactions with the consumer in the local Language
- ▶ Two languages can be displayed on the VPOS

## 3 Plug and play

- ▶ Easy to install and simple to use
- ▶ Remote software updates
- ▶ Operates on MDB, ccTalk and Pulse protocols





## VPOS is part of Nayax's complete payment Solution for unattended automated machine Operators.

Using Nayax, machine operators all over the world are able to accept credit / debit card payment, with easy installation, clearance, monitoring and management

### Supported Payment Schemes

Contact Card: EMV Level 1 + Level 2—Certified
Contactless: EMV Level 1—Certified
Contactless: EMV Level 2:
Visa PayWave MSD + qVSDC
MasterCard PayPass Mag Stripe
Magnetic Stripe Card—ISO7811, Track 1 + Track 2
Other Cards Supported: NFC, MIFARE, HID-iClass
Support of Payment Applications—Global & Local Environment

### Technical Information

Interface communication—RS232 up to 115,200 kbps
2 x 16 Character LCD display + 4 LEDs + Buzzer + Speaker
Transaction start/end button
Power Supply: 8 Volt DC—16 Volt DC
Security - Support of DES, 3DES, AES, RSA, SHA1 algorithms
On-board SAM: EMV/HID support
RF contactless interface: Frequency—13.56 MHz, MIFARE, NFC, HID

### Physical Dimensions

105 (H) x 84 (W) x 48.3 (D) mm
Weight: 230 grams

### Regulatory Compliance

EMVco Level 1 + Level 2
CE + FCC + RoHS

### Operating Conditions

Temperature -30 to 50 degrees C
Humidity 5% to 95% (non-condensing)

### Storage Conditions

Temperature -40% to 60 degrees C
Humidity 5% to 95% (non-condensing)

### Standards

ISO 7816 Contact Smart Card, approved by EMVco
ISO 14443 Type A and B, approved by EMVco
ISO 15693